




We offer our products around the world which has enabled us to develop local partnerships that are benefiting customers and business partners alike. For mail room and print finishing solutions, we have an extensive range of machines and supplies.

Give us a call today to see how we can help with your mail room and print finishing requirements.



Telephone: 0161 8832 722
Email: info@galaxyprintfinishing.com



PAC 900 SEMI-AUTOMATIC CREASING & PERFORATION MACHINE



INSTRUCTION MANUAL

Email: info@galaxyprintfinishing.com
Telephone: 0161 8832 722
www.galaxyprintfinishing.co.uk

Contents:

- 3 Specifications
- 3 Parts
- 4 Safety Instructions
- 4 Operating Procedures
- 5 Galaxy Products

Envelope Slitters

We provide a range of envelope openers which are suitable for all types of offices. We have basic letter openers through to letter openers with mail extraction systems built in.



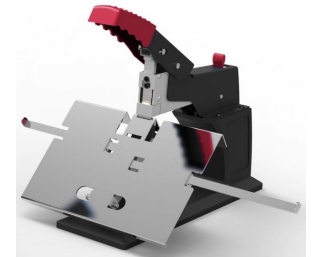
Corner Rounders/Punches/Cutters

Galaxy offers a range of corner rounders, cutters and punches. These can range from the smaller jobs to the more heavy duty applications.

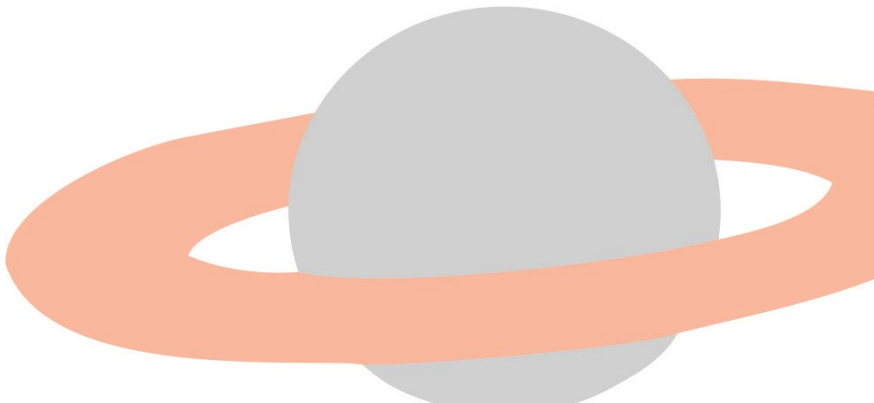


Staplers

Staple with ease with our effortless staplers that are suitable for your stapling needs.



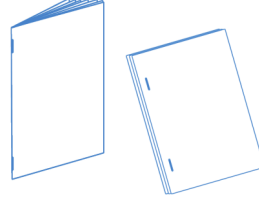
Franking Labels and Inks



Booklet Makers



Our booklet makers are useful for anyone wanting to make stapled booklets. Turn multiple A4 sheets into an A5 booklet or multiple A3 sheets into an A4 booklet. They're very handy for making things like menus, brochures, church service booklets and so on. Offering a low cost solution that drastically improves production, efficiency and quality of finished results.



Business Card Cutters



Here at Galaxy, we provide a wide range of card cutters ideal for business cards, shop tags, postcards and other applications. These are considered perfect for in house low-medium volume runs.

Creasing & Perforating Machines



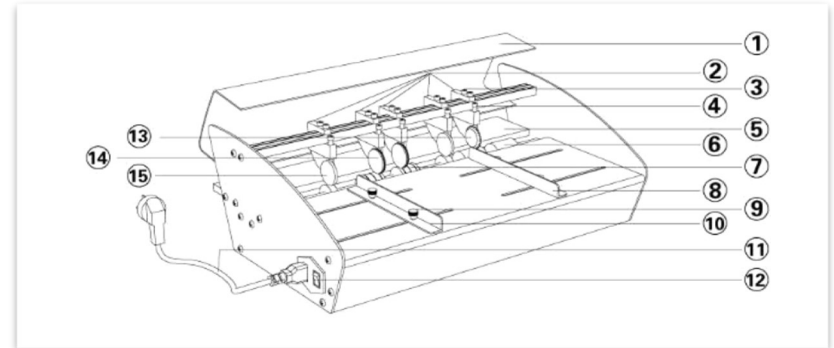
Our card creasing and perforating machines will cater for the smaller user up to the print finishing specialist.

Specifications:

The Galaxy PAC 900 has more advantages and productivity than the monotonous use of a hand perforating or creasing machines. It has an electric rotary blade that spins, perforating the stock when delivered to the rollers. The PAC 900 is perfect for card, high gloss covers, menus, invitations and more. Easy to set up with measure guides, paper sizes SRA3, A5, A4 and A3 with width up to 460mm. This desktop machine comes with 1 perforation wheel and 4 creasing wheels which are depth adjustable. Additional wheels can be added.

Model:	PAC 900 CREASE & PERF/SCORER
Paper size:	A6 /A5/ A4/ A3/ Width up to 460mm
Creasing width / length	460mm
Perforation	7 holes per inch
Depth Change	Yes
Paper thickness gsm	up to 300
Perf depth	Adjustable
Automatic	Semi automatic
Feed type	Roller
Multiple sheets	No
Special features	Moveable speed guides & 1 x Perf wheel & 4 Crease wheels
Dimensions	510(W) X 325(D) X 172(H) mm
Weight	9.9kg
Delivery	Next day
Warranty	12 months manufacturers, Extended available
Power consumption:	220V - 240V 50HZ - 60HZ

Parts:



- | | | |
|-----------------------------|----------------------------|-----------------------|
| 1. Cover | 7. Rolling groove wheel | 13. Perforate wheel |
| 2. Tool rest | 8. Right paper positioning | 14. Creasing wheel |
| 3. Head screw | 9. Adjusting screw | 15. Paper press wheel |
| 4. Pressure adjusting screw | 10. Left paper positioning | |
| 5. Paper platform | 11. Power line | |
| 6. Bottom wheel | 12. Power switch | |

Safety Instructions:

- The Galaxy PAC 900 must be placed on a solid table.
- Keep the machine away from children and pets.
- Keep loose clothing, jewellery and long hair away from all moving parts.
- Do not remove covers. Covers enclose hazardous parts that should only be accessed by an authorised Service Representative.
- Read all instructions before attempting to operate the equipment.
- Use this equipment only for its intended purpose.

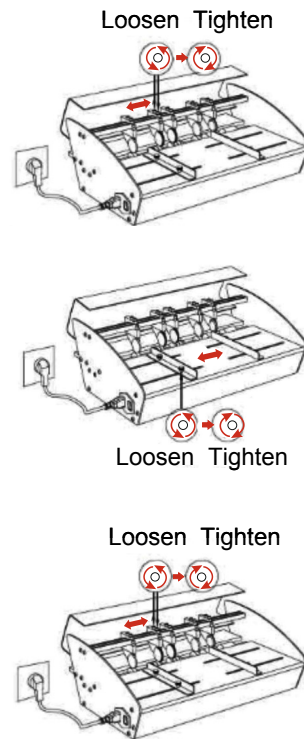
CAUTION:

When using the machine, always make sure the safety lid is closed and always make sure to switch off the machine when not in use or when changing or moving the blades.

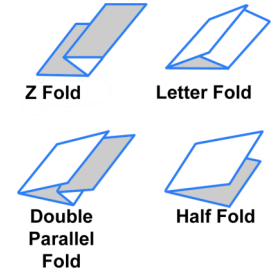
Operating Procedures:

The Galaxy PAC 900 is simple to use and set up.

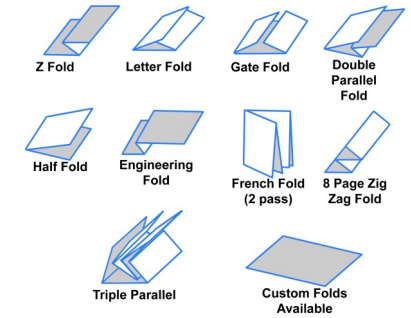
1. Adjust the creasing position and the indentation or depth according to your needs, the upper indent should align with the centre of the crease.
2. Adjust the paper position accordingly.
3. Close the safety lid and switch on the machine.
4. Insert the paper or card and adjust the creasing pressure as well as feeding pressure on the paper feeding wheels. The wheels will pull in your stock through the machine and exit at the back of the machine with a perfect crease or perforation produced.



Paper Folding Machines



Pharmaceutical Folding Machines



Folder Inserters

